



www.gassticks.com

Part # NVT 910-01110

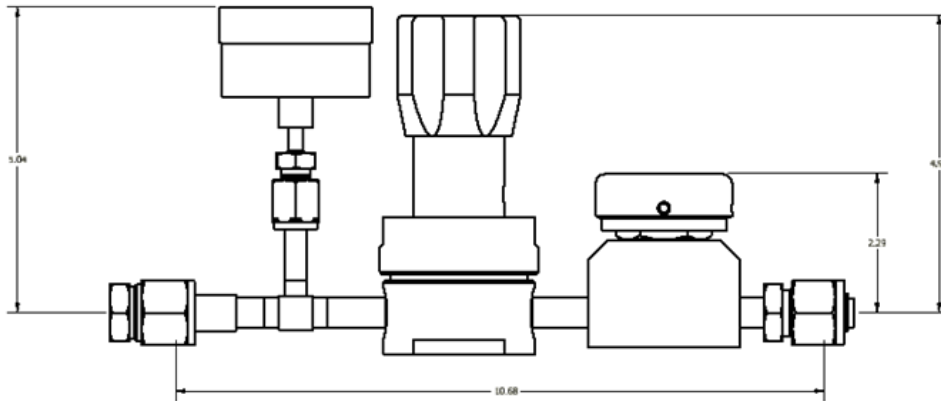
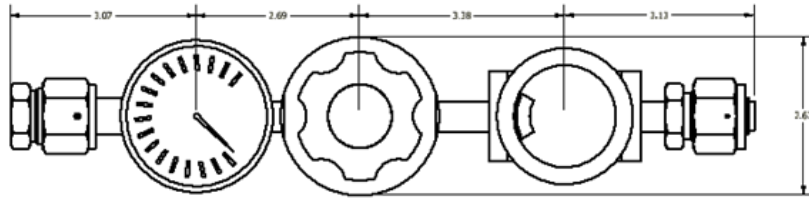
1/2" High Purity 500 lpm Gas Stick

Usage:	Ultra High Purity Gases
Size:	1/2"
Connections:	1/2" MVCR Inlet, FVCR outlet
Flow Range:	10-500 lpm N2
Outlet Pressure:	0-100 psig
Testing:	Particles, H2O, Leak
Valve:	APTech AP3800S, 2.8 Cv
Regulator:	APTech AZ1310S, 0-100 psig out (see flow chart)
Gauge:	Wika 230.25 VIM/VAR MVCR

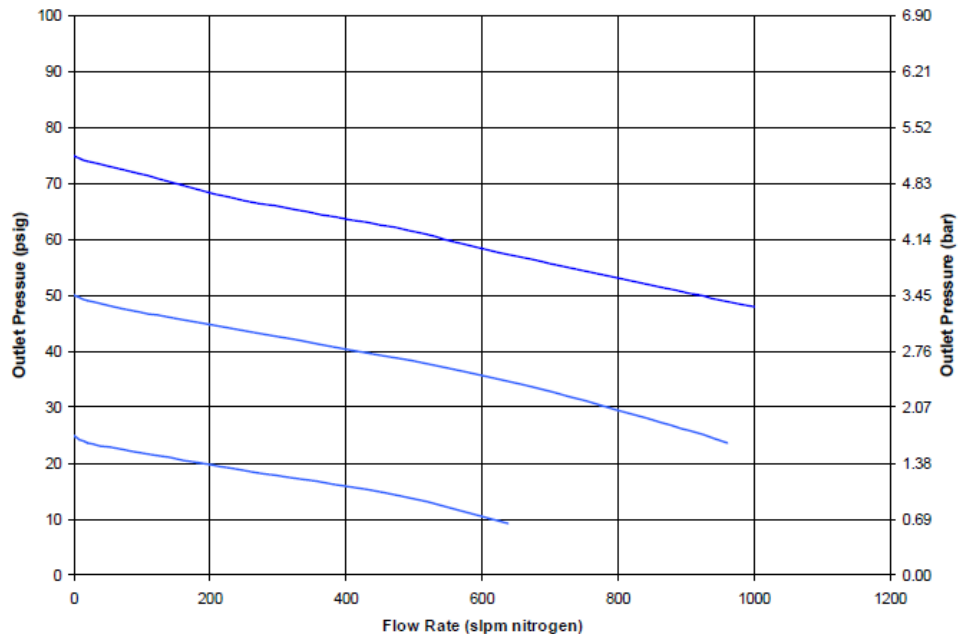
Testing Performance Specifications:

- ❖ Leak rate: 1 x 10⁻⁹ atmospheric cc/sec Helium leak rate
- ❖ Particle: 3 consecutive samples < 10 particles (0.1 micron)/ft³ at 6 slm N₂
- ❖ Moisture: 10 ppb added to purified test gas moisture level AND < 100 ppb absolute.
- ❖ Regulator Test: +/- 5 psi at outlet with 20% increase at inlet.
- ❖ Packaging: Torque seal on mechanical connections, double bagged sealed 10mil clear poly bags, packaged into Invatech proprietary protective light weight packaging.
- ❖ All Sticks are capped and shipped with 20 psig N₂ to ensure purity.
- ❖ Lot traceability: All Gas sticks are labeled with part number and serial number. Serial number traces all components to manufacturing date, actual scanned test strips, manufacturing assembler, QA/QC tester, who it was sold to and when.

NVT 910-01110



AZ1310 and AK1310 (1/2 inch connections)
Flow Test at 100 psig (6.9 bar) Inlet Pressure



❖ Invatech Engineering's High Purity Gas Sticks are built and tested to the highest industry standards and are the primary choice of Semiconductor device manufacturers worldwide.

❖ All gas sticks are manufactured in a class 10 cleanroom, packaged, inventoried and available to ship worldwide.

❖ All Invatech High Purity Gas Sticks are tested by a 3rd party onsite QA/QC group as a value add for our clients

❖ Your gas stick will ship out of inventory with the confidence that your tool hook up will go off without a hitch.



www.gassticks.com

324 S. Bracken LN. Chandler, AZ PH: 480-782-6033 www.invatechengineering.com