



www.gassticks.com

Part # NVT 910-01135

3/4" General Purity 1500 lpm Gas Stick

Usage:	CDA/Utility Gases
Size:	3/4"
Connections:	3/4" Compression tube inlet and outlet
Flow Range:	15-1500 lpm N2
Outlet Pressure:	0-150 psig
Testing:	Leak
Valve:	Swagelok SS-45S12, Cv= 6.4
Regulator:	APTech AK9215S, 0-150 psig out (see flow chart)
Gauge:	Ashcroft 2.5" 316 SS Gauge 1/4" MNPT Connection

Testing Performance Specifications:

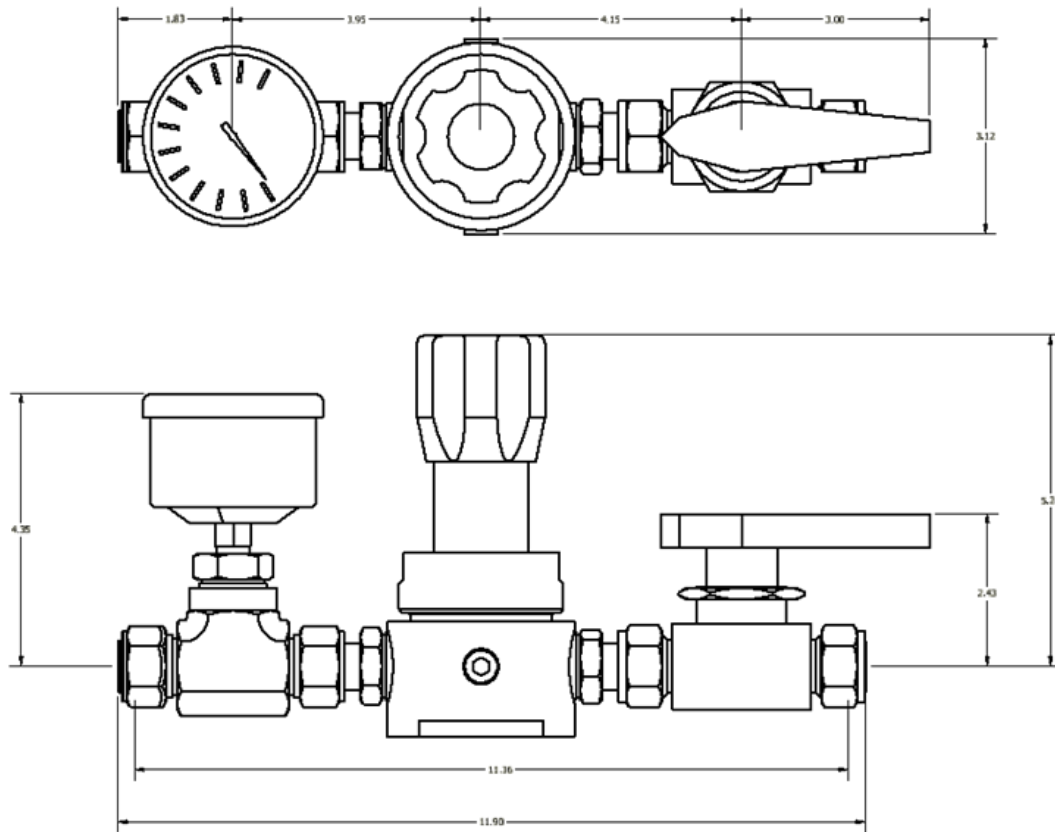
Leak rate: 1 x 10⁻⁷ atmospheric cc/sec Helium leak rate

Regulator Test: +/- 5 psi at outlet with 20% increase at inlet.

Packaging: Torque seal on mechanical connections, double bagged sealed 10mil clear poly bags, packaged into Invatech proprietary protective light weight packaging.

Lot traceability: All Gas sticks are labeled with part number and serial number. Serial number traces all components to manufacturing date, actual scanned test strips, manufacturing assembler, QA/QC tester, who it was sold to and when.

NVT 910-01135



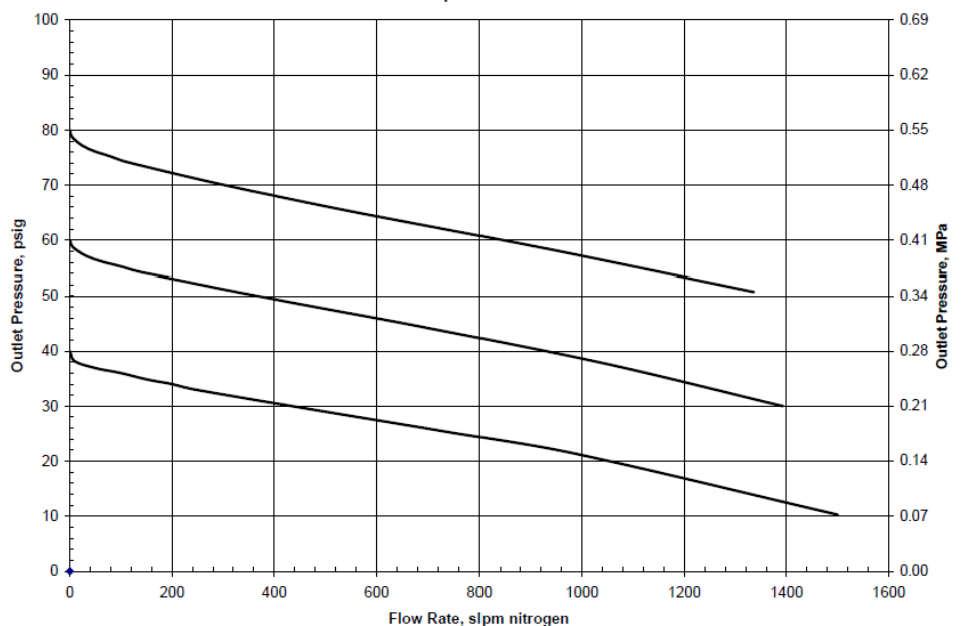
❖ Invatech Engineering's Utility/CDA Gas Sticks are built and tested to the highest industry standards and are the primary choice of Semiconductor device manufacturers worldwide.

❖ All gas sticks are manufactured in a class 10 cleanroom, packaged, inventoried and available to ship worldwide.

❖ All Invatech High Purity Gas Sticks are tested by a 3rd party onsite QA/QC group as a value add for our clients

❖ Your gas stick will ship out of inventory with the confidence that your tool hook up will go off without a hitch.

AZ9210 with 3/4 Inch Fittings
 Flow Curve at 100 psig Inlet Pressure
 Gas temperature is 70°F



www.gassticks.com